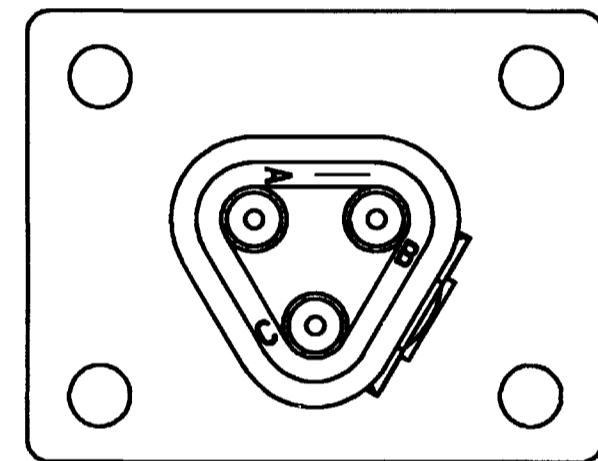
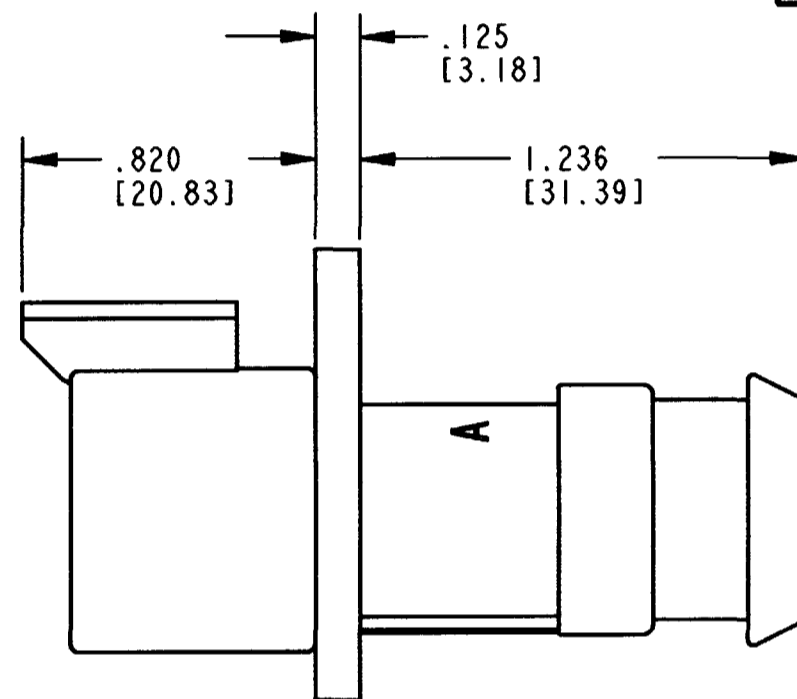
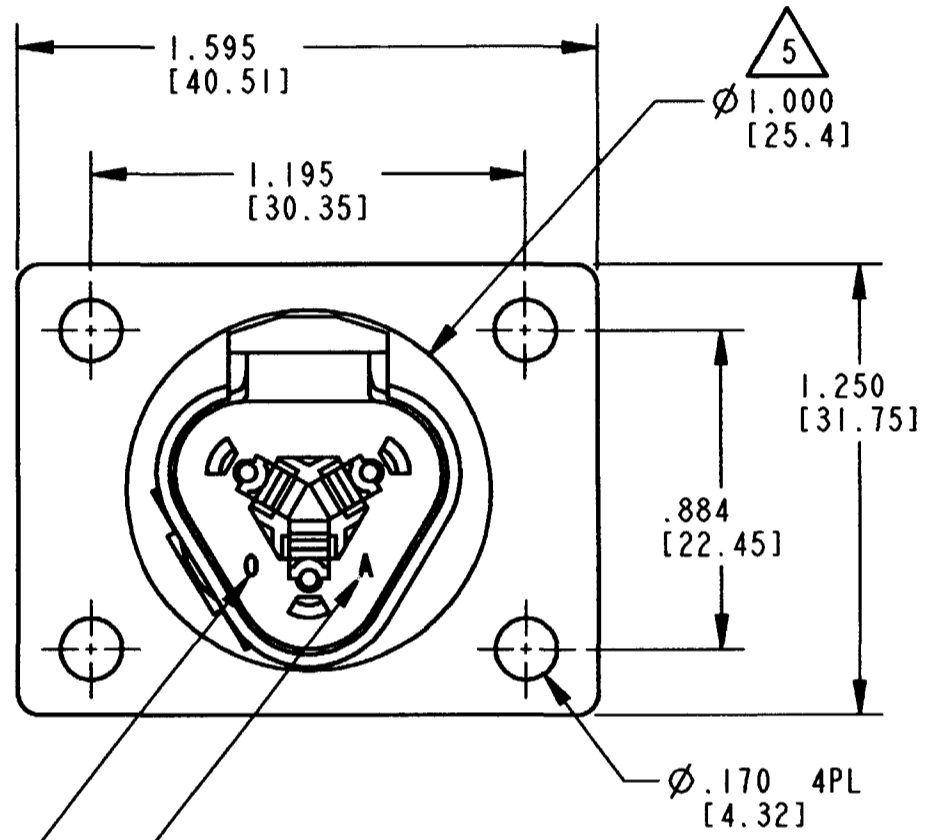


REV
A DT04-3P-LE08

REVISIONS			
SYM	DESCRIPTION	DATE	APPROVED
NC	NEW RELEASE PER E.O. A14887	8/18/95	R.D.R.
A	REVISED PER E.O. P18489	4-20-04	ADR



DATE CODE: SEQUENTIAL ALPHA CHARACTERS REPRESENT MONTH (EX: A= JANUARY).
DATE CODE: YEAR REPRESENTED BY LAST NUMERICAL DIGIT (EX: 0=2000).

- 5. OUTLINE SHOWN FOR PANEL CUT OUT.
 - 4. THIS RECEPTACLE MATES WITH DT06-3S-**** PLUG (**** = ALL MODIFICATIONS). CONSULT FACTORY FOR MODIFICATIONS.
 - 3. FOR CONTACTS AND WIRE PERFORMANCE AND APPLICATION CHARACTERISTICS SEE ENVELOPE DRAWING 0425-015-0000 AND 0425-017-0000.
 - 2. DIMENSIONS ARE ±.025 [0.63] UNLESS OTHERWISE SPECIFIED.
 - 1. DIMENSIONS ARE IN INCHES [MILLIMETERS].
- NOTES:

CONTACT SIZE	MIN. INSUL. O.D.	MAX. INSUL. O.D.	WIRE RANGE [mm ²] REF 3
16	.088 [2.24]	.145 [3.68]	14-20 AWG [2.0-0.5]

SIGNATURE & DATE		
DR	X. SANCHEZ 17FEB04	
CHK	J. Lim 3/31/04	
PE	Tate/Blum 3/27/04	
APPD	J. Brand 4-15-04	
SCALE	NONE	WT

3 WAY RECEPTACLE
FLANGE MOUNT
-LE08 MOD.
D.T. SERIES

ENVELOPE

CP	NATL. CODE
The Deutsch Company DEUTSCH I.P.D. 3850 INDUSTRIAL AVE. HEMET, CALIF. 92545	
B	DT04-3P-LE08
DWG SIZE	CODE 11139 SHEET OF